

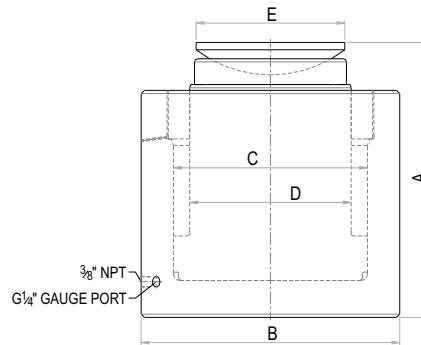
## Pile Testing Jacks

Capacity 500 - 2000 ton / Stroke 150 - 200 mm

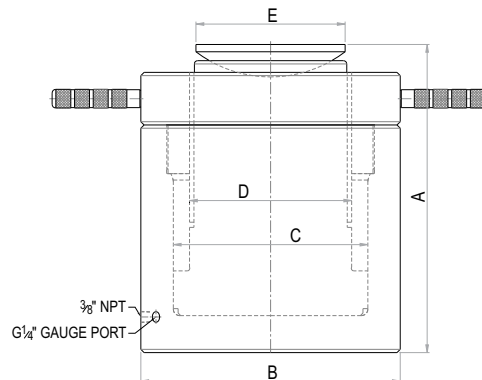
### Features

- Available in Single Acting (Plain & Threaded Ram with lock nut) as well as Double Acting as per application / requirement.
- Spherical Saddle with tilt angle  $5^{\circ}$  max., takes care of cross loading
- Gauge port on Jack to measure load.

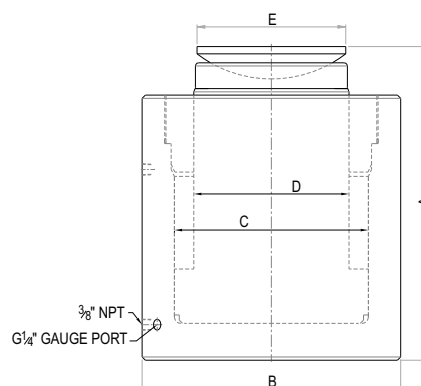
### Single Acting, Plain Ram



### Single Acting, Threaded Ram With Safety Lock Nut



### Double Acting, Plain Ram



- Higher capacity and customized solutions on request. Specifications are subject to change due to continual improvement.
- Capacity and Stroke specified are maximum safe limits. As safe practice, use at 80% of rating.

## Pile Testing Jacks

Capacity 500 - 2000 ton / Stroke 150 - 200 mm

**OLPS Series** - **O** Orione **L** Single acting Load return **P** Plain ram **S** Spherical saddle (Tilting angle 5° Max.) **500** Capacity - ton **150** Stroke - mm

Capacity (ton)	Capacity (kN)	Stroke (mm)	Model	Effective area (cm <sup>2</sup> )	Oil cap. (cc)	Closed height A (mm)	Cylinder OD B (mm)	Bore dia. C (mm)	Ram dia. D (mm)	Saddle dia. E (mm)	Wt. (Approx.) (kg)	Suitable pump
500	4948	150	OLPS 500-150	706.9	10603	415	400	300	250	230	335	OPU-3-40-HS
500	4948	200	OLPS 500-200	706.9	14137	465	400	300	250	230	375	OPU-3-40-HS
1000	9930	150	OLPS 1000-150	1418.6	21279	510	560	425	350	330	800	OPU-5-50-HS
1000	9930	200	OLPS 1000-200	1418.6	28373	560	560	425	350	330	879	OPU-5-50-HS
1500	15154	150	OLPS 1500-150	2164.8	32472	595	705	525	450	400	1482	OPU-5-80-HS
1500	15154	200	OLPS 1500-200	2164.8	43296	645	705	525	450	400	1612	OPU-5-80-HS
2000	20458	150	OLPS 2000-150	2922.5	43837	665	810	610	525	495	2195	OPU-5-80-HS
2000	20458	200	OLPS 2000-200	2922.5	58450	715	810	610	525	495	2367	OPU-5-80-HS

**OLTS Series** - **O** Orione **L** Single acting Load return **T** Threaded ram **S** Spherical saddle (Tilting angle 5° Max.) **500** Capacity - ton **150** Stroke - mm

Capacity (ton)	Capacity (kN)	Stroke (mm)	Model	Effective area (cm <sup>2</sup> )	Oil cap. (cc)	Closed height A (mm)	Cylinder OD B (mm)	Bore dia. C (mm)	Ram dia. D (mm)	Saddle dia. E (mm)	Wt. (Approx.) (kg)	Suitable pump
500	4948	150	OLTS 500-150	706.9	10603	465	400	300	250	230	405	OPU-5-50-HS
500	4948	200	OLTS 500-200	706.9	14137	515	400	300	250	230	446	OPU-5-50-HS
1000	9930	150	OLTS 1000-150	1418.6	21279	570	560	425	350	330	970	OPU-5-80-HS
1000	9930	200	OLTS 1000-200	1418.6	28373	620	560	425	350	330	1050	OPU-5-80-HS
1500	15154	150	OLTS 1500-150	2164.8	32472	660	705	525	450	400	1810	OPU-5-80-HS
1500	15154	200	OLTS 1500-200	2164.8	43296	710	705	525	450	400	1940	OPU-5-80-HS
2000	20458	150	OLTS 2000-150	2922.5	43837	750	810	610	525	495	2705	OPU-5-80-HS
2000	20458	200	OLTS 2000-200	2922.5	58450	800	810	610	525	495	2877	OPU-5-80-HS

**ODPS Series** - **O** Orione **D** Double acting Oil return **P** Plain ram **S** Spherical saddle (Tilting angle 5° Max.) **500** Capacity - ton **150** Stroke - mm

Capacity (ton)	Capacity (kN)	Stroke (mm)	Model	Effective area (cm <sup>2</sup> )	Oil cap. (cc)	Closed height A (mm)	Cylinder OD B (mm)	Bore dia. C (mm)	Ram dia. D (mm)	Saddle dia. E (mm)	Wt. (Approx.) (kg)	Suitable pump
500	4948	150	ODPS 500-150	706.9	10603	450	400	300	240	230	365	OPU-3-40-HS
500	4948	200	ODPS 500-200	706.9	14137	500	400	300	240	230	405	OPU-3-40-HS
1000	9930	150	ODPS 1000-150	1418.6	21279	560	560	425	350	330	868	OPU-5-50-HS
1000	9930	200	ODPS 1000-200	1418.6	28373	610	560	425	350	330	948	OPU-5-50-HS
1500	15154	150	ODPS 1500-150	2164.8	32472	620	705	525	420	400	1534	OPU-5-80-HS
1500	15154	200	ODPS 1500-200	2164.8	43296	670	705	525	420	400	1661	OPU-5-80-HS
2000	20458	150	ODPS 2000-150	2922.5	43837	705	810	610	525	495	2357	OPU-5-80-HS
2000	20458	200	ODPS 2000-200	2922.5	58450	755	810	610	525	495	2532	OPU-5-80-HS

- Higher capacity and customized solutions on request. Specifications are subject to change due to continual improvement.
- Capacity and Stroke specified are maximum safe limits. As safe practice, use at 80% of rating.